



x:panda™



R82[®] 

x:pandaTM

Dynamic back

The x:panda has a unique dynamic back that absorbs the energy of extension and returns the child to upright sitting without compromising pelvic positioning



x:panda is a multi-adjustable dynamic seat, delivered in 4 different sizes - each seat with up to 10 cm in seat width and depth adjustment coupled with sliding back growth.

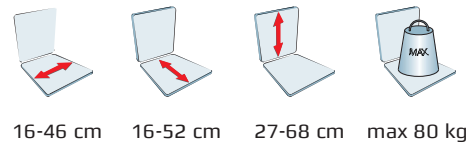
The back is dynamic, making it possible for the child to extend and push back against relatively light resistance and then regain the desired sitting position. The back is lockable which could be preferred in feeding situations and required when being used in transportation. The back can also be angled to make it possible to seat the child with either an open or closed hip angle.

Multi-adjustable

Overlap in sizing means that the starting option always offers the maximum growth potential coupled with individual leg positioning



The x:panda seat complies with ISO 16840-4



Growth

Individual growth in width, depth and back height extend the life of the seat and accommodate the greatest range of sizes for any chair on the market



Patented!

The point for rotation (recline of the back) is close to the axis of the hips which means that the back support maintains the correct position and minimizes shear





STANDARD CONFIGURATION - options

Size

89101xx-01
Available in 4 sizes
- each size in 3 widths



It is possible to combine the different seat and back sizes:

- Size 1 seat with size 2 back
- Size 2 seat with size 3 back
- Size 3 seat with size 4 back
- Size 2 seat with size 1 back
- Size 3 seat with size 2 back
- Size 4 seat with size 3 back

Seat width

Each size of chair can easily be adjusted in three different widths



Small

Medium

Large

Back cushion

Available in small, medium and large. Must be ordered separately



Black = 60



Pink = 64
(Not available for size 4)



Red = 65



Blue = 66



Lime green = 67

Seat cushion

Available in small, medium and large. Must be ordered separately



Black = 60



Pink = 64
(Not available for size 4)



Red = 65



Blue = 66



Lime green = 67

Seat cushion without abduction

Available in small, medium and large. Must be ordered separately



Black = 60

Gas spring

The seat is delivered as standard with the lockable dynamic gas spring. A non-dynamic gas spring is available as an accessory



Standard



Accessory

Seat size 1+2 comes with a 100N lockable dynamic gas spring
 Seat size 3 comes with a 150 N lockable dynamic gas spring
 Seat size 4 comes with a 350 N lockable dynamic gas spring

Fix locks

The seat is delivered as standard with fix lock fittings for mounting of various belts and vests





ACCESSORIES

Head supports

99xxxx-xx

For correct position and support

See the Accessories catalogue for further information on options and measurements.



Non-dynamic gas spring

891100x



Swing-away side supports

839xx-xx

For additional support, adjustable in height and width

See the Accessories catalogue for further information on options and measurements.



Fixed side supports

8910401-x

For additional support, adjustable in height and width

Type	Measurements
1	W:11 x H:7 cm
2	W:10 x H:10 cm
3	W:12 x H:14 cm
4	W:16 x H:9 cm
5	W:16 x H:15 cm
6	W:12 x H:14 cm



Vests and belts

89113-x

For added support in a variety of possibilities

See the Accessories catalogue for further information on options and measurements.



Overarm supports

8910407-x

To support the upper arm. The support is adjustable in height and width

Size	Measurements
1	H:13½ x W:10 cm
2	H:19 x W:12½ cm



Back width extensions

8910409-45
only for size 4

One size



Cover plate

8910406-4
Only for size 4

Size	Measurements
1	H:9 x W:35 cm



Tray

891072x-x

See the Accessories section at the back of the catalogue, for further information on options and measurements.



Activity centre

89250

One size



Quick locks

8910702-x0

For fast and easy adjustment of the side supports

See the Accessories catalogue for further information on options and measurements.



Fix lock fittings

8910260

When straps are needed above back height

One size

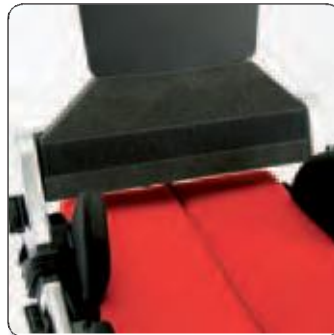


Foam back plate

8910406-x

Fills out the gap between seat and back

Size	Measurements
1	W:21 x H:10 cm
2	W:25 x H:10 cm
3	W:30 x H:15 cm



Armrest

891061x

Adjustable in height and angle
Max height above seat

Size	Measurements
1	W:8 x L:23 x H:23 cm
2	W:8 x L:26 x H:28 cm
3	W:8 x L:29 x H:33 cm
4	W:8 x L:37 x H:19 cm
4	W:8 x L:37 x H:29 cm



Seat wedges

8910405-x

Provide control and positioning

Size	Measurements
1	W:6xL:16xH:2,5cm
1+2	W:8xL:16xH:2,5cm
1+2+3	W:10xL:16xH:2,5cm
2+3	W:12xL:24,5xH:4cm
3	W:15xL:24,5xH:4cm



Seat wedges

8910405-x

Provide control and positioning

Size	Measurements
4	W:13xL:30,5xH:5,5cm
4	W:15,5xL:30,5xH:5,5cm
4	W:19xL:30xH:5,5cm

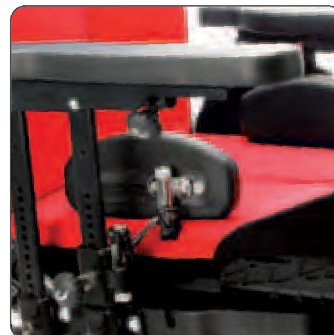


Hip supports

8910404-44

Only for seat size 4.
Adjust the seat width for correct seating position.

Size	Measurements
1	H:8,5 x W: 19 cm



Folding top

SN67-9901

One size



Fixed rod

891150x

For fixed back rest in 90°

Three sizes



Back rest extension

8910655-x60

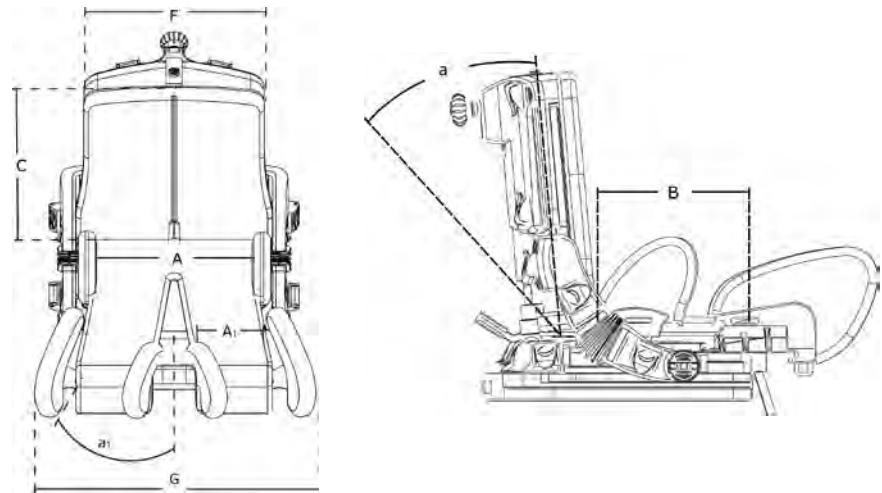
Three sizes





x:panda™





Measurements

	x:panda Size 1 cm (inch)	x:panda Size 2 cm (inch)	x:panda Size 3 cm (inch)	x:panda Size 4 cm (inch)
Seat width (A)	16, 20, 24 (6 ¹ / ₄ , 7 ¹ / ₄ , 9 ¹ / ₄ "	20, 24, 28 (7 ¹ / ₄ , 9 ¹ / ₄ , 11"	26, 31, 36 (10 ¹ / ₄ , 12, 14"	34, 40, 46 (13 ¹ / ₄ , 15 ¹ / ₂ , 18"
Width, thighs (A1)	7, 9, 11 (2 ³ / ₄ , 3 ¹ / ₂ , 4 ¹ / ₄ "	10, 12, 14 (4, 4 ³ / ₄ , 5 ¹ / ₂ "	12, 14 ¹ / ₂ , 17 (4 ³ / ₄ , 5 ³ / ₄ , 6 ³ / ₄ "	13, 19, 25 (5, 7 ¹ / ₂ , 9 ³ / ₄ "
Seat depth (B)	16-26 (6 ¹ / ₄ -10 ¹ / ₄ "	22-33 (8 ¹ / ₂ -12 ³ / ₄ "	26-39 (10 ¹ / ₄ -15 ¹ / ₄ "	38-53 (14 ³ / ₄ -20 ¹ / ₂ "
Back height (C)	27-37 (10 ¹ / ₂ -14 ¹ / ₂ "	32-42 (12 ¹ / ₂ -16 ¹ / ₂ "	35-47 (13 ¹ / ₂ -18 ¹ / ₄ "	49-68 (19-26 ¹ / ₂ "
Back width, top (F)	23 (9")	28 (11")	33 (12 ³ / ₄ "	35 + 5 (13 ¹ / ₂ + 2")
Total width, both legs in max abduction (G)	31, 35, 39 (12, 13 ¹ / ₂ , 15 ¹ / ₄ "	38, 42, 46 (14 ³ / ₄ , 16 ¹ / ₄ , 18"	47, 52, 57 (18 ¹ / ₄ , 20 ¹ / ₄ , 22 ¹ / ₄ "	59, 65, 71 (23, 25 ¹ / ₄ , 27 ¹ / ₂ "
Back angle (a)	-5° - +30°	-5° - +30°	-5° - +30°	-5° - +30°
Abduction angle, each leg (a1)	0° - 15° *	0° - 15°	0° - 15°	0° - 15°
* size 1 in the smallest position	0° - 8°	-	-	-
Weight, seat unit	6,5 kg (14,5 lb)	8,5 kg (18,5 lb)	11 kg (24 lb)	13 kg (28,5 lb)
Max load / User weight	45 kg (101 lb)	50 kg (110 lb)	60 kg (132 lb)	80 kg (176 lb)
Max load / User weight at transportation	45 kg (101 lb)	50 kg (110 lb)	57 kg (125,5 lb)	57 kg (125,5 lb)