



mustang™



R82^c

mustang[™]

Motivating the child to walk

The user is placed at the centre of the Mustang which provides stability of the upper body and enables the user to focus energy on walking



The Mustang is a walking aid for disabled children, who need supplementary assistance with their daily walking.

The Mustang provides excellent and snug support for the upper body while also keeping the child's pelvis gently supported. The upright, slightly forward leaning position stimulates the walking function and encourages the child to participate in daily activities.

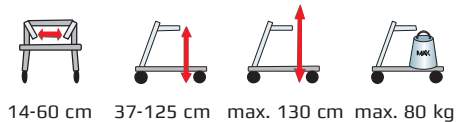
Develop a more natural walking pattern

The Mustang has easy and steady angle adjustable centre bar. A slight forward leaning position, combined with built-in suspension, stimulates the natural walking pattern



The Mustang can be used by e.g. CP children and others with lack of balance and impairment of their motor function. The Mustang is developed as a basic anterior walker but can also be used as a posterior gait trainer, depending on the child's level of ability.

The Mustang is available in four sizes and suitable for children between the ages of 2 - 18 years.



Easy to access

The Mustang has been constructed with accessibility in mind. The U-shaped frame and wrap around support, allows for easy access and transfer



Easy to store and carry

The foldable frame makes storage and transport of the Mustang easy





mustang™

STANDARD CONFIGURATION

Standard

As standard the Mustang is delivered with lockable wheels. The Mustang is available in 4 sizes

Size 1



Size 2, 3, 4 with larger wheels



Frame colour

Available in 4 colours



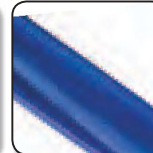
Size 1 = Yellow



Size 2 = Blue



Size 3 = Red



Size 4 = Blue

Wheels

The Mustang is as standard delivered with various adjustment possibilities on all four wheels



Directional stabilizer



Tension adjustable wheels



Wheel brake on all 4 wheels

Wheel stops

The unique on/off anti-reverse wheel stops are very easy to lock and unlock

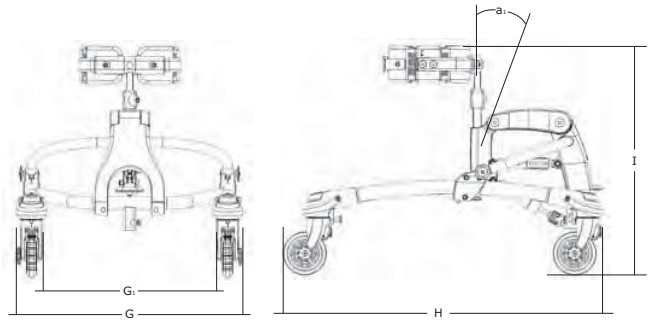


Lock



Release





Measurements

	Size 1	Size 2
Width, total (G)	52 cm (20 ¹ / ₄ ")	63 cm (24 ")
Width, inside frame (G1)	38 cm (14 ")	45 cm (17 ")
Length, total (H)	75 cm (29 ¹ / ₄ ")	90 cm (35")
Height, total (I)	65 cm (25 ¹ / ₄ ")	80 cm (31 ¹ / ₄ ")
Seat height above floor (seat = accessory)	17-35 cm (6 -13 ")	33-50 cm (12 -19 ")
Width between handles (handles = accessory)	14-35 cm (5 -13 ")	14-35 cm (5 -13 ")
Height from floor to handles (handles = accessory)	37-58 cm (14 -22 ")	51-71 cm (20-27 ")
Angle range of centre bar (a1)	30°	30°
Turning radius	0°	0°
User height, floor to axil	38-65 cm (14 -25 ¹ / ₄ ")	60-80 cm (23 -31 ¹ / ₄ ")
Weight, standard without accessories	10 kg (22 lb)	14 kg (31 lb)
Max. load / user weight	30 kg (66 lb)	40 kg (88 lb)

	Size 3	Size 4
Width, total (G)	65 cm (25 ")	70 cm (27 ")
Width, inside frame (G1)	50 cm (19 ")	56 cm (22")
Length, total (H)	100 cm (39")	110 cm (43")
Height, total (I)	105 cm (41")	130 cm (50 ")
Seat height above floor (seat = accessory)	45-68 cm (17 -26 ")	62-84 cm (24-32 ")
Width between handles (handles = accessory)	14-60 cm (5 -23 ")	14-60 cm (5 -23 ")
Height from floor to handles (handles = accessory)	65-90 cm (25 -35")	81-125 cm (31 -48 ")
Angle range of centre bar (a1)	0-25°	0-25°
Turning radius	55 cm (21 ")	62 cm (24 ")
User height, floor to axil	70-95 cm (27 -37")	87-130 cm (34-50 ")
Weight, standard without accessories	18 kg (40 lb)	19 kg (42 lb)
Max. load / user weight	60 kg (132 lb)	80 kg (176 lb)

The Mustang is measured as standard delivered and with the center bar in vertical position. Different settings may result in another set of measurements. To accomplish some of the measurements above, a slight adjustment might be required. We supply various types of accessories, which is why the weight is listed without.



ACCESSORIES

Chest support

8698x0

For support of the upper body

size measurements

1 O: 47-64 cm

2 O: 67-78 cm

3 O: 87-114 cm

O: inner circumference



Cover

8698x0-x60

For added comfort

size measurements

1 H:8½ x W:25 cm

2 H:12 x W:38 cm

3 H:15 x W:49 cm



Extension piece

869225

To eliminate the gap when width adjusting the chest support

size measurements

one H: 11 x W: 5½ cm



Hand bar

86936x

Provide hand control
For anterior use

size measurements

S H:11 x W:21 cm

L H:11 x W:32 cm



Abdominal support

869260

Provides additional anterior pelvic control

size measurements

one H:13 x W:19 cm



Arm rests, anterior

86935x

Provide forearm support.
Helps the child to stabilise the trunk and head

Two sizes



Sacrum support

86925x

Helps to stabilizes the pelvis.
Requires seat 8691X0

size measurements

1 H:18 cm (from seat)

D:13-21 cm (from seat)

2 H:20½ cm (from seat)

D:16½-24½ cm (f.seat)



Arm prompts, anterior or posterior

8693xx

Helps the child to stabilize the trunk and head

Three sizes



Hip support, small

869220 or 869221

Helps to stabilise the pelvis.
Requires seat 8691X0

size measurements

one W:18½-25½ cm



Hip support, large

869230 or 869231

Helps to stabilise the pelvis.
Requires seat 8691X0

size measurements

one W:25½-32½ cm



Head support system 861424-3 and 861424-4

size	measurements
1	Rod = L:20 cm
2	Rod = L:33 cm



Connecting rod 869226 Mounted between hip and head support

One size



Leg pad 869470 Provides knee protection

One size



Storage pouch 869560 For transporting toys etc. Only for size 1+2

size	measurements
one	H:14½ x W:13 cm



Leg separator 8694x0 Protects children with the tendency of scissoring their legs

Four sizes



Seat 8691x0. Provides a resting position that a child can use when fatigued. Used for mounting sacrum or hip supports

size	measurements
1	H:17½ x D:25½ cm
2	H:17½ x D:30½ cm



Sling seat 86957x Provides partial weight bearing support

size	measurements
1	W:18 x L:24½ cm
2	W:18 x L:33 cm



Guide bar 869510 Allows caregiver to direct and assist the child's movements

size	measurements
one	L: 70 cm



Storage bag 869565 Only for size 3+4

size	measurements
one	H: 30 x W: 39½ cm



Ankle prompts 8694xx Guidance for correct walking pattern

size	measurements
1	L: 52½ cm
2	L: 60½ & 26½ cm
3	L: 70½ cm
4	L: 80½ cm

